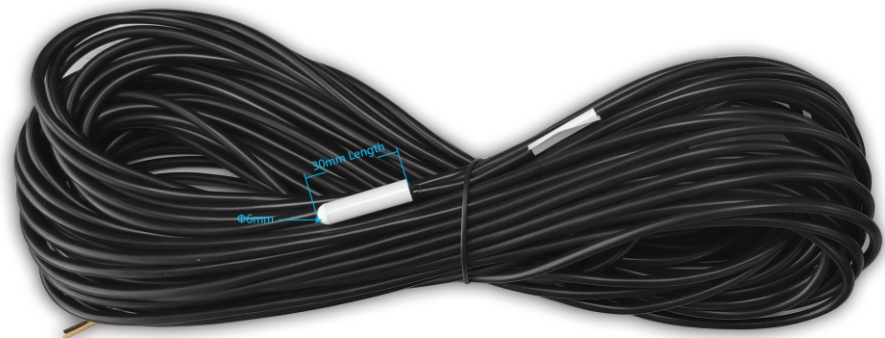




# TTS-WT20 Temperature Sensor cable

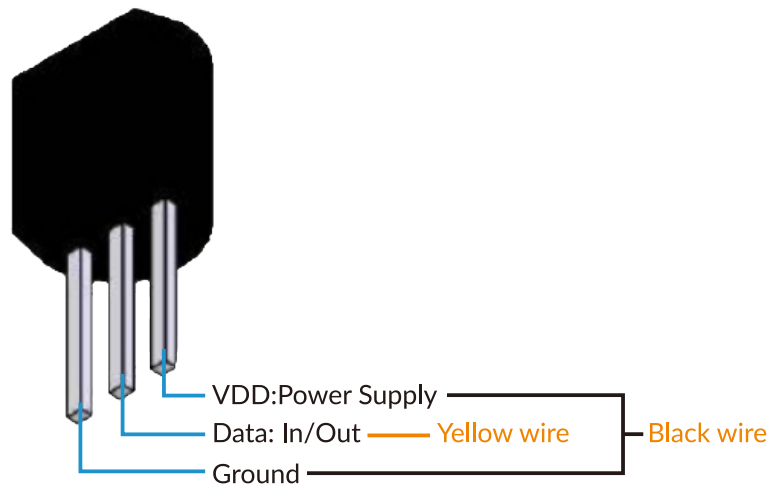
## General Description:

- Stainless Steel probe 1-Wire \* temperature sensor.
- Uses DS18B20+ chip with 12 bit resolution connected in Parasitic Power configuration.
- Length of probe is 30mm.
- Diameter of probe is 6mm.
- Weight of each sensor is 132 grams.
- Strip & tin approx 6mm.
- 20m long cable w/2 conductors:
  - Black is connected to the VDD / GND pins.
  - Yellow is connected to the DATA pin.



## Sensor & Probe Specifications:

Sensor Accuracy (-10 to 85°C)	+/- 0.5°C
Sensor Accuracy (-55 to 125°C)	+/- 2.0°C
Sensor Resolution (DS18B20)	12 Bit
Supply Voltage	3.0 to 5.5V
Active Current	1 to 1.5 mA
Operating temperature	-40°C to +85°C



DS18B20+Sensor Element wired in parasitic power mode as shown in the diagram

\* 1-Wire is a registered trademark of Maxim Integrated Products, Inc.