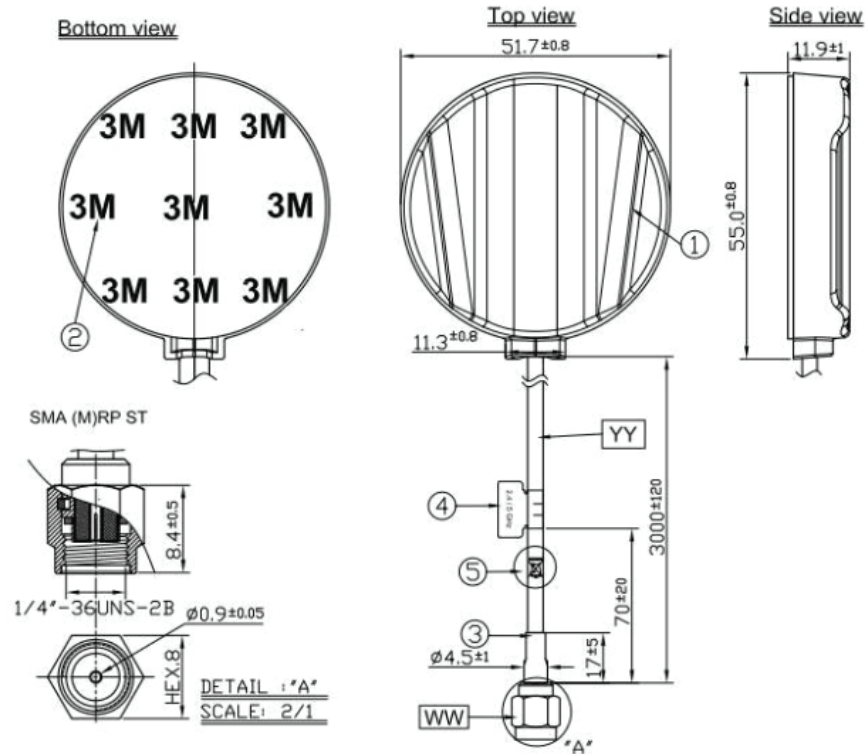


4A726-301151-03



Name	Material	Finish	QTY
1 Housing	ABS	Black	1
2 Acrylic Foam Tape	3M 4612	White Liner	1
3 Heat Shrink tube	PE	Black	1
4 2.4/5GHz Label	Coated Paper	Green	1
5 WEEE Label	Coated Paper	White	1

Name	Spec	Finish	QTY
WW Connector Type	SMA(M) RP ST RG174	Gold	1
YY Cable Type	RG174 Cable	Black	1