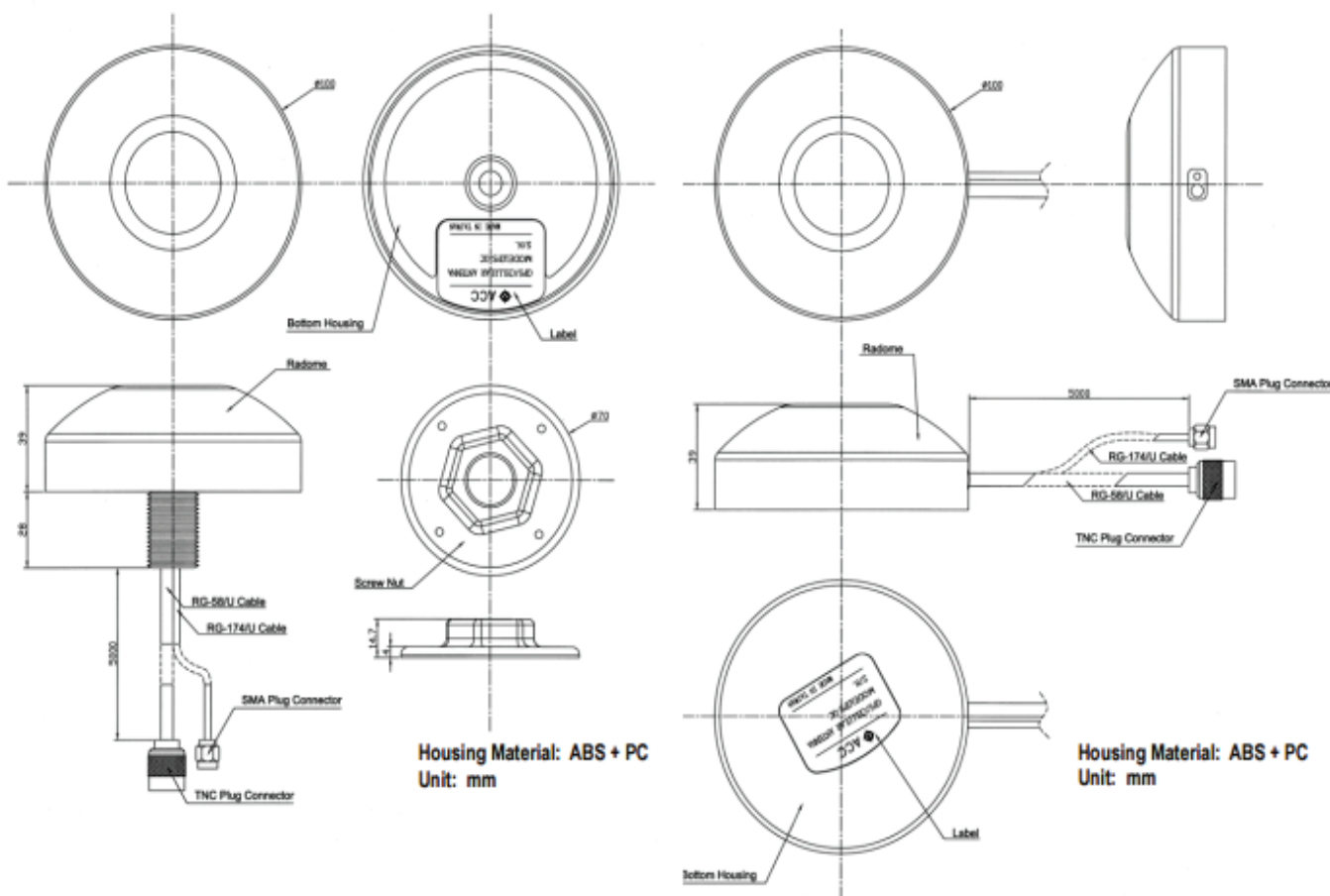


RM1353-TB-04



GPS Antenna:	
Frequency	1575.42 ± 3 MHz
VSWR	1.5 max.
Bandwidth	20 MHz min. at -10 dB
Axial Ratio	3dB typical
Impedance	50Ω
Peak Gain	4 dBic min. (7cm x 7cm ground plane)
Gain Coverage	≥ -4dBic at -90° ≤ θ ≤ 90° (over 75% volume)
Power Handling	1 Watt
Polarization	RHCP
Amplifier Gain	27 dB typical
Noise Figure	1.5 dB typical
Output VSWR	2.0 max.
DC Voltage	3.0 V to 5.5V
DC Current	22±3 mA
Cellular/PCS	
Frequency	824-960MHz, 1850-1990MHz,
VSWR	2.0 : 1
Impedance	50Ω
Pattern Type	Omn-directional
Power Handling	25 Watts max.
Mechanical:	
Weight (Without Cable)	GCRTA: 0.4 lbs. (0.16 kgs) max. GCMTA: 0.3 lbs. (0.15 kgs) max.
Size	3.9" dia. x 1.5" height (100mm x 39mm), 1.1" (28mm) stem height
Cable Type & Length (Standard)	GPS: 16.4' (5m) RG174 800/900/1900: 16.4' (5m) RG58
Connector (Standard, Others available)	GPS: SMA plug 800/900/1900: TNC plug
Mounting	Threaded permanent mount or magnetic
Environmental:	
Working Temperature	-40°F < T < +185°F (-40°C < T < +85°C)
Storage Temperature	-50°F < T < +203°F (-50°C < T < +95°C)
Vibration	Sine Sweep, 1G(0-P), 10-150-10Hz each axis
Weatherproof	Waterproof

Note: Specifications subject to change without notice.